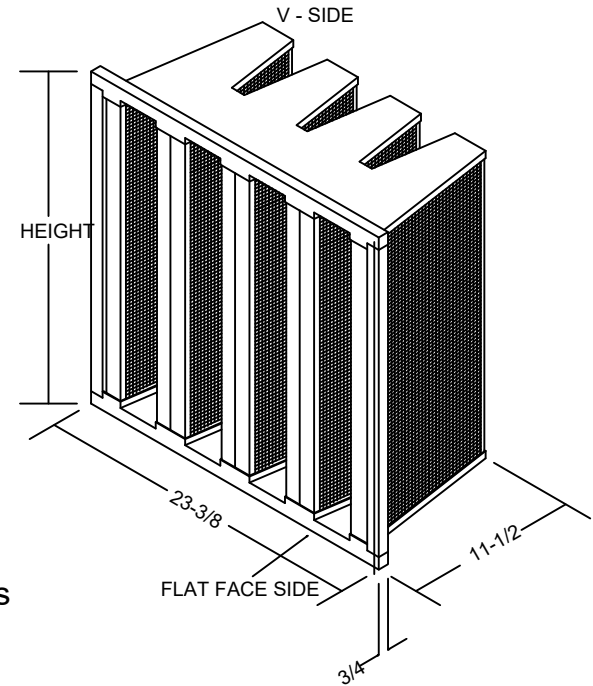


Size (inches) Nominal H x W x D	Size (inches) Actual H x W x D	Koch Part Number	Capacity (CFM)	Resistance (inches W.G.)	Media Weight (lb.)
24 x 24 x 12	23-3/8x23-3/8x11-1/2	111-802-101	2000	.34	18
12 x 24 x 12	11-3/8x23-3/8x11-1/2	111-802-102	1000	.34	8
20 x 24 x 12	19-3/8x23-3/8x11-1/2	111-802-103	1675	.34	15



Standard Construction:

1. Carbon Blend: 50% Coconut Shell Carbon (CSC) / 50% Potassium Permanganate
2. Carbon Activity Rating: Minimum 60% on Carbon Tetrachloride @ 25 degrees Celsius
3. Carbon/Potassium Permanganate contained in Honeycomb panels
4. Frame: High Impact Polystyrene
5. Uprights: High Impact Polystyrene
6. Sealant: Solid Polyurethane in all Vertical Supports

Specifications:

1. Rated Velocity: 500 FPM
2. Tolerance: Height & Width - +0 / - 1/8"
3. Tolerance: Depth - +/- 1/16"
4. Maximum Operating Temperature: 110 degrees Fahrenheit and 43 degrees Celsius



DuraPure - CP

REV LTR	REVISION	BY / DATE

8401 Air Commerce Drive - Louisville KY 40219
Phone: (502) 634-4796 FAX: (502) 637-2280

Drawn By: D. MILLER
Date: June 20, 2024

Revision